



ESE LIGHTNING ROD PROTECTION SYSTEMS



Reliable



NFC 17-102 / 2011

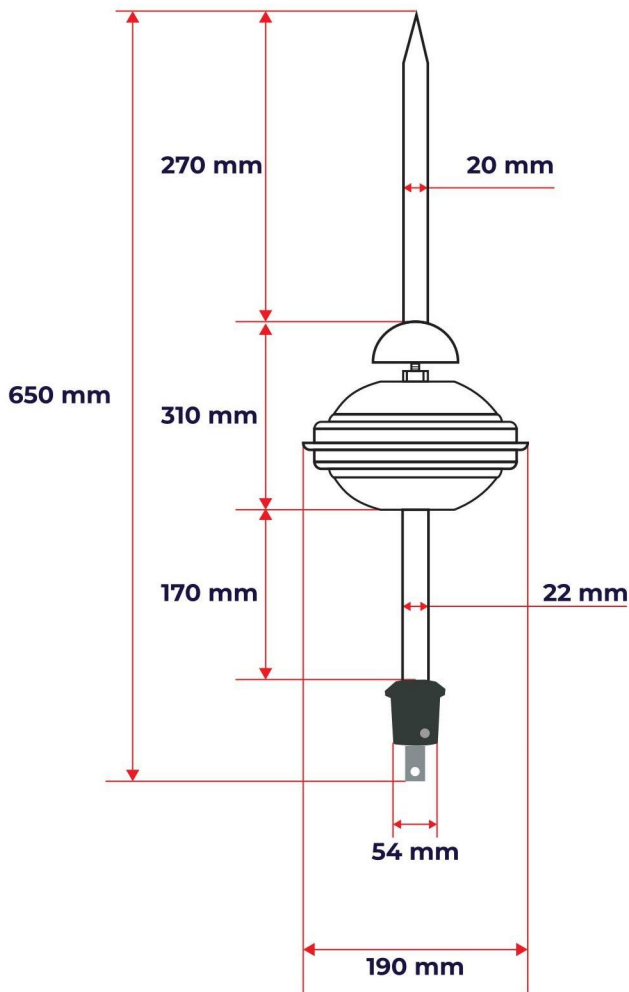


KIM THU SÉT BAKIRAL ALFAS ESE 15, ESE 30, ESE 50, ESE 60, ESE 60 SJ, ESE 60 SM ESE LIGHTNING ROD

Compact's principle is storing electrostatic energy present in the atmosphere at a stormy cloud approach, to release the ascending discharge excitation in good time.

This device operates at a stormy activity approach by an intergrated sensor which measures the surrounding electrical field value.

It provokes then a polarity inversion of the lightning conductor head, creating a sudden amplification of the electrical field on its tip.



304 I grade chrome high durability
With convenient testing mechanism
Remote testing option



Tel: 0869.278.279 - <http://LeKhangCorp.com>

KIM THU SÉT BAKIRAL ALFAS ESE 15, ESE 30, ESE 50, ESE 60, ESE 60 SJ, ESE 60 SM CONTROL TESTER

BAKIRAL LIGHTNING COUNTER

Bakiral Lightning Counter defects the electrical energy that is derived to the ground through a conductor when a lightning impact occurs. The device registers each impact incrementing the counter in one unit each time. It must be installed in the down conductor that connects the lightning rod to the grounding system. It does not use any type of power supply

because it uses the electric energy of the lightning (including voltage at the moment of the discharge deviation to ground).

The BAKIRAL lightning counter is a device designed to detect lightning strikes upon any external lightning protection system (lightning rods, Faraday cages., etc). Electro-mechanical lightning discharge counter.

TECHNICAL SPECIFICATIONS:

- ◆ Weight: 830 gr
- ◆ Range of Intensity: 1kA (8/20 μ s)
- ◆ 100 kA (10/350 μ s)
- ◆ Range of register from 0 to 999 impulses
- ◆ Working temperature from -20°C to 65°C
- ◆ Protection degree IP 65 Bypass connector (shunt) (cable/ rod/ plate) 50 - 95 mm² / D8-12 mm / 30 x 2 mm



WARRANTY

- 1 - ESE lightning rod conductors made of stainless steel durable material according to corrosion 30 year warranty outside conditions.
- 2 - ESE lightning rod manufactured according to appropriate NFC 17-102 France Standard (Appendix C) laboratory test.
- 3 - ΔL & ΔD results can be tested with lightning rod conductor test electronic device after montage.
- 4 - ESE lightning rod conductor has a ISO 9001-2008, ISO 14001:2004, OHSAS 18001-2007, CE Declaration of community certificates.
- 5 - ESE lightning rod conductor is durable against high discharge electric current and lightning
- 6 - Product tested V_{min} : 988 kV in NFC 17-102 laboratory.
- 7 - Invoice date is valid for starting warranty.
- 8 - Periodic maintenance needs after montage by montage technical company (Wholesale Distributor) every year.
- 9 - All above Lightning rods require periodical maintenance in every 6 months. Otherwise, warranty conditions may be voided.



Special designs

Project-specific developable products...



Special request

Everything is guaranteed by contract



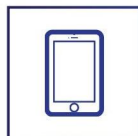
Easy to install

It is designed to be easily mounted



All the world

Our products in many countries in the world



Mobile compatible site

For a more convenient review ...



Novative ideas

Constant self-renewing work ...

Tel: **0869.278.279** - <http://LeKhangCorp.com>

RADIUS OF PROTECTION (m)

The protection radius RP of a BAKIRAL ESE terminal is calculated using the following formula as defined in NFC 17-102 (September 2011), namely:

$$R_p(h) = \sqrt{(2rh - h^2 + \Delta(2r + \Delta))} \quad \text{for } h \geq 5m$$

and

$$R_p = h \times R_{p5} / 5 \quad \text{for } 2 \leq h \leq 5m$$

where h = BAKIRAL height relative to the area being protected (m)

Rp5 = value of Rp from Eqn. (1) when h = 5m

r = 20m for protection level I (Very high protection)

= 30m for protection level II (high protection)

= 45m for protection level III (Medium protection)

= 60m for protection level IV (Standard protection)

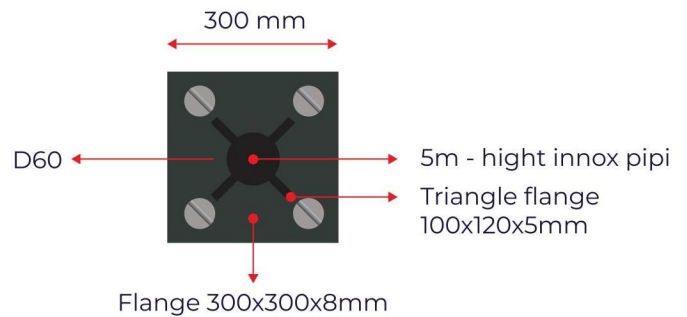
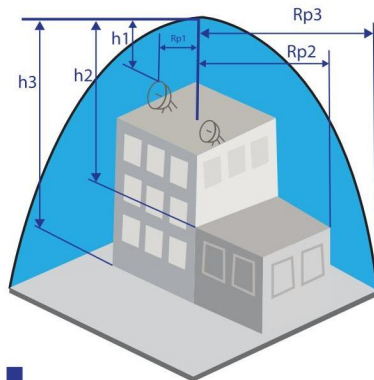
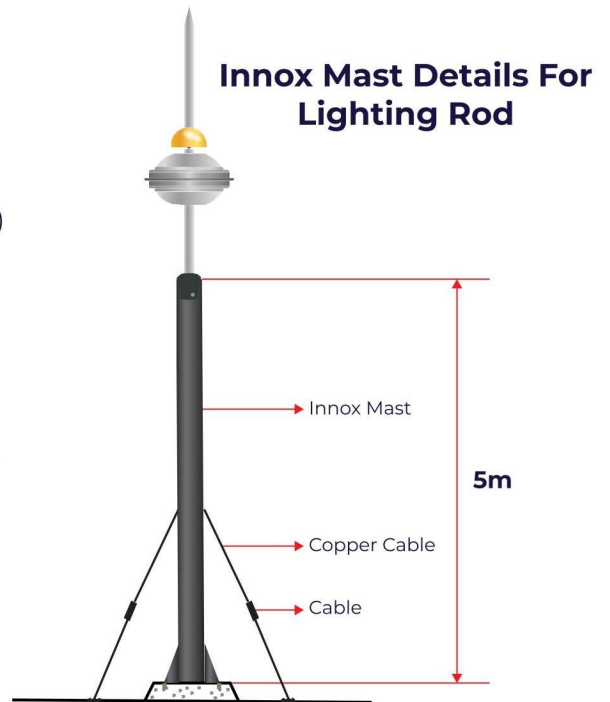
and **Δ** = BAKIRAL time and height advantage according to the

INNOX MAST DETAILS FOR LIGHTNING ROD

5m – high inox pipi

Triangle flange 100x120x5mm

Flange 300x300x8mm



RADIUS OF PROTECTION

BKR Code	H (m)	LV1						LV2						LV3						LV4					
		ALFAS ESE 15	ALFAS ESE 30	ALFAS ESE 50	ALFAS ESE 60	ALFAS ESE 60 SJ	ALFAS ESE 60 SM	ALFAS ESE 15	ALFAS ESE 30	ALFAS ESE 50	ALFAS ESE 60	ALFAS ESE 60 SJ	ALFAS ESE 60 SM	ALFAS ESE 15	ALFAS ESE 30	ALFAS ESE 50	ALFAS ESE 60	ALFAS ESE 60 SJ	ALFAS ESE 60 SM	ALFAS ESE 15	ALFAS ESE 30	ALFAS ESE 50	ALFAS ESE 60	ALFAS ESE 60 SJ	ALFAS ESE 60 SM
	3	19	24	28	47	76	97	22	33	42	52	87	105	27	38	64	69	97	107	39	43	72	85	97	111
	4	25	34	37	62	80	107	30	44	57	69	97	119	36	51	79	86	111	122	52	57	90	96	113	138
	5	28	37	47	74	90	110	37	55	63	86	103	122	45	63	86	97	114	134	64	79	97	107	125	145
	10	29	38	49	75	91	111	38	56	66	87	105	122	45	64	86	98	115	135	65	79	98	109	126	147
	15	29	38	49	75	91	111	38	56	66	87	105	122	45	64	86	98	115	135	65	79	98	109	126	147



Contact Us



info@LeKhangCorp.com



<http://LeKhangCorp.com>

KIM THU SÉT ALFAS ESE 15, ESE 30, ESE 50, ESE 60, ESE 60 SJ, ESE 60 SM

