

PREVECTRON 3 S50

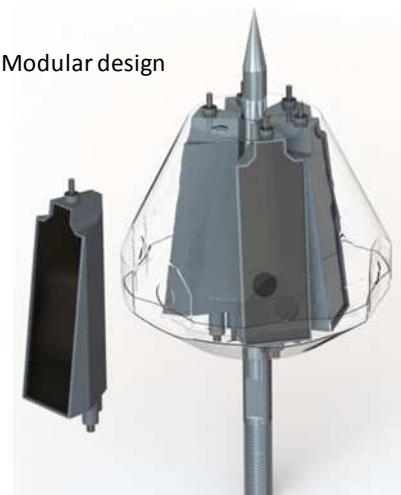
EARLY STEAMER EMISSION AIR TERMINAL (ESE)

Reference	P1533	
Characteristics		
Efficiency	ΔT	50 μs
Standard deviation ESE / Single Rod	σ	$\sigma_{PDA} < 0.5 \sigma_{PTS}$
Lightning current withstanding test (10/350 μs)	I_{imp}	100kA (normative test)
Max. current withstanding test	I_{max}	207 kA (Unicamp)
Net Weight	P	3.300 kg
Operating principles		
Detection of download leader	Continuous measuring of electric field gradient ($\Delta E/\Delta t$)	
Upward streamer development conditions	Patented OPTIMAX® technology optimizing the streamer development conditions	
Upward streamer emission	Sparking by High Voltage Impulses	
Internal circuits	4 independent and synchronised modules	
Central rod	Full electrical continuity 315 mm ² section – Nickel plated Copper	
Metal housing	Stainless Steel 316, Electromagnetic shielding	
On-site testing capabilities	Proprietary tester	
Maintenance	Replaceable modules	
Warranty	5 years	
Mechanical specifications		
Fixing on pole	M20 Thread	
Down conductor connection	Specific clamp ref P6500 (included)	
Packaging		
Dimensions	438 x 228 x 220 mm	
Contents	Prevectron®3, Down conductor clamp, Hex key	
Gross Weight	5.050 kg	
Environmental sustainability	100% recyclable	
Certifications		
NF C 17 102:2011, Annexe C	Bureau Veritas certificate N°6275241/2/1/2	
Qualifoudre	Ineris certificate N° N°051166662001	
ISO 9001 : 2008	Bureau Veritas certificate N°FR018755-1	
CE Marking	Declaration of conformity N°IND-CE-21092015-B	
Underwriter Laboratories (UL)	UL Certified E478687	
Rostechnadzor (RTN Russia)	N° RRS 00-05003	
Eco -label	AVNIR/In Planet	

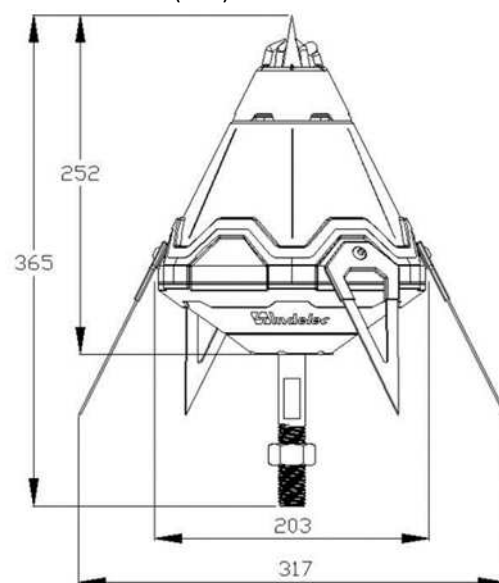
PREVECTRON 3® S50



Modular design



Dimensions (mm)



Kim thu sét **Indelec S 50**. Xuất xứ: **Pháp**. Nhà phân phối kim chống sét Indelec tại VN:
Tel: **0909 018 089** - Email: info@baominhgroup.com - Website: <http://kimthuset.net>

©INDELEC SA – 61 Chemin des postes F59500 DOUAI - Tel +33 327 944 944
www.indelec.com

