

# PREVECTRON 3 S60

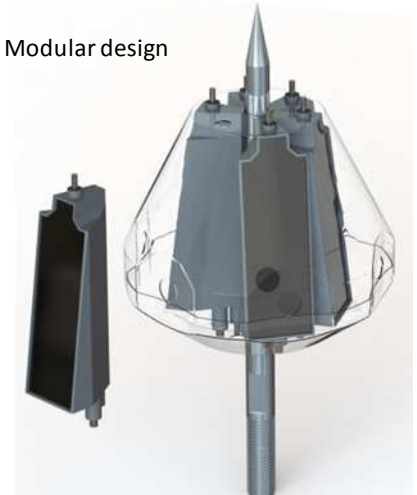
## EARLY STEAMER EMISSION AIR TERMINAL (ESE)

Reference	P1543	
<b>Characteristics</b>		
Efficiency	$\Delta T$	60 $\mu s$
Standard deviation ESE / Single Rod	$\sigma$	$\sigma_{PDA} < 0.4 \sigma_{PTS}$
Lightning current withstanding test (10/350 $\mu s$ )	$I_{imp}$	100kA (normative test)
Max. current withstanding test	$I_{max}$	207 kA (Unicamp)
Net Weight	P	3.900 kg
<b>Operating principles</b>		
Detection of download leader	Continuous measuring of electric field gradient ( $\Delta E/\Delta t$ )	
Upward streamer development conditions	Patented OPTIMAX® technology optimizing the streamer development conditions	
Upward streamer emission	Sparking by High Voltage Impulses	
Internal circuits	6 independent and synchronised modules	
Central rod	Full electrical continuity 315 mm <sup>2</sup> section – Nickel plated Copper	
Metal housing	Stainless Steel 316, Electromagnetic shielding	
On-site testing capabilities	Proprietary tester	
Maintenance	Replaceable modules	
Warranty	5 years	
<b>Mechanical specifications</b>		
Fixing on pole	M20 Thread	
Down conductor connection	Specific clamp ref P6500 (included)	
<b>Packaging</b>		
Dimensions	438 x 228 x 220 mm	
Contents	Prevectron®3, Down conductor clamp, Hex key	
Gross Weight	5.650 kg	
Environmental sustainability	100% recyclable	
<b>Certifications</b>		
NF C 17 102:2011, Annexe C	Bureau Veritas certificate N°6275241/2/1/1	
Qualifoudre	Ineris certificate N° N°051166662001	
ISO 9001 : 2008	Bureau Veritas certificate N°FR018755-1	
CE Marking	Declaration of Conformity N°IND-CE-21092015-A	
Underwriter Laboratories (UL)	UL Certified E478687	
Rostechnadzor (RTN Russia)	N° RRS 00-05003	
Eco -label	AVNIR/In Planet	

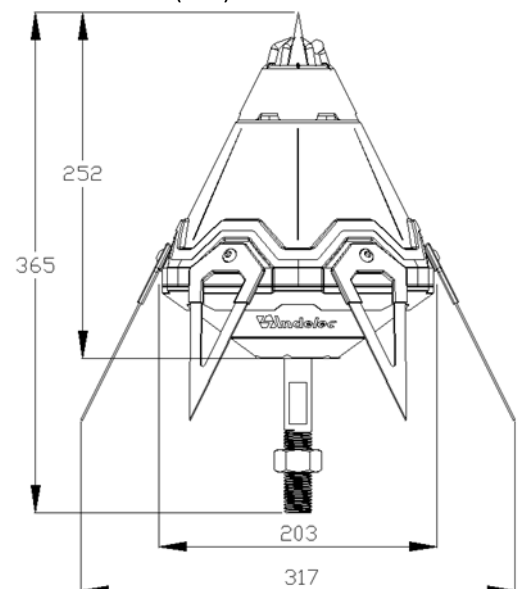
PREVECTRON 3® S60



Modular design



Dimensions (mm)



Kim thu sét **Indelec S 60**. Xuất xứ: **Pháp**. Nhà phân phối kim chống sét Indelec tại VN:  
Tel: **0909 018 089** - Email: [info@baominhgroup.com](mailto:info@baominhgroup.com) - Website: <http://kimthuset.net>

©INDELEC SA – 61 Chemin des postes F59500 DOUAI - Tel +33 327 944 944  
[www.indelec.com](http://www.indelec.com)

